

ADVANCED **EV**™



ADV **EV** NT

CE certified

We meet the GB/T 21268-2014
Standard after the quality inspection.

Read and Understand the manual before operating the car

Preface

Dear Users,

Great thanks for purchasing our company's electric cars. While adopting advanced technology of Europe and the US and main imported components, the cars are also with the innovative design, luxury professional painting and high strength steel welding material, all of which make our cars look fashionable, reliable, beautiful and excellent in performance. With lightweight, strong climbing ability, free pollution, low noise, convenient charging, good braking performance and reasonable price, our cars are the most advanced in the electric car field at present.

In order to help users operate and maintain the car correctly, make the car play the best performance and prolong its working time, hereby we make the operation manual. Please read it carefully.

The product is always in improving. If the manual doesn't match with the real product, the read product is the standard.

Note: This bus is mainly designed for relaxation, sightseeing, tourism, thus suitable for used in special area like tourism scenic area, community, pedestrian mall etc.

IMPORTANT MANUAL INFORMATION

Particularly important information is distinguished by using the following symbols and notes:



THE SAFETY ALERT SYMBOL MEANS ATTENTION ! BE ALERT ! YOUR SAFETY IS INVOLVED!

WARNING

Failure to follow **WARNING** instructions could result in severe injury or death to the golf car passengers, bystanders, or the person driving the golf car.

CAUTION

This message describes special precautions that must be taken so as to avoid damage to the car.

NOTE:

This message provides additional main information.

NOTE:

AdvancedEV continually seeks improvement in product quality. Even though this manual contains the latest product information available at the time of printing, there may be minor discrepancies between your golf car and this manual. If you have any question concerning this manual, please contact your AdvancedEV dealer and we will work it out.

This manual should be considered as a permanent part of your golf car and should stay with the car when the car is sold.

WARNING

Read and understand the manual completely before operating your golf car.

Content

Important Labels	1
Operational Safety	2
Structure and Specifications	4
Operation And Control	9
Pre Operation	12
Maintenance	15
Storage	25
Vehicle Maintenance And After-sales Service	26
Wiring Diagram	28
Controller Trouble Shooting Process	30

Important Labels



SAFETY AND INSTRUCTION LABELS

⚠ WARNING

Please read the attached labels carefully before driving the golf car , and promptly replace any label that is damaged or removed .

①

Operation Essentials



Brake pedal



Accelerator pedal

- Read the manual and safety instruction labels on the golf car before driving :
- Be sure that passengers are seated stably .
- Select " forward " or " reverse " key .
- Tread the accelerator to start moving ; and tread the parking pedal to stop .
- Please drive safely according to the terrain ,visibility and driving experience ; please drive carefully in the crowded and slippery places .
- When parking , please tread the parking pedal and draw up the handle of hand brake . When starting the car , please release the handle .
- Forward or back off the car when it is ready .

②



WARNING/AVERTISSEMENT

<p>EXPLOSIVE GASES</p> <p>are released when batteries are overcharged or discharged. Keep well ventilated. Keep sparks, flames and cigarettes away. Shield eyes when working near batteries.</p> 	<p>SULFURIC ACID</p> <p>in batteries will burn skin, eyes, and clothing. Do not inhale fumes. Keep over caps tight and level. In case of injury, flush with physician immediately.</p> 	<p>ELECTRICAL SHORTS</p> <p>can result in burns. Do not make connection between positive and negative battery terminals.</p> 
---	---	---

③



WARNING

- Please read the safety and instruction labels on the steering wheel before operating ;
- No extra passengers can be allowed ;
- Start the car until all passengers are seated well ;
- Drive slow when turning ;
- Tread the parking pedal before leaving the car ;
- Pull the main switch and turn the key off when not using the car ;
- The passengers should be seated stably and hold the armrest tight ;
- Keep hands and feet inside the car .

④



WARNING



Windshields do not provide protection from other flying objects.

Safety Operation

Before operating:

1. Read this manual and all the other operations or labels marked on the car body before operating.
2. Only authorized people should drive the car only in the designated area.
3. Do not OVERLOAD.
4. Do not drive the car if drinking any alcohol or having any drugs which could distract the driver's vision and judgment.



When operating:

1. Keep your body in the car and keep well-seated when the car starts moving.
2. Do not start the car until all passengers are seated.
3. Keep your hands on the steering wheel and your eyes on the path ahead.
4. Be especially careful when backing the car in crowded places. Please keep watching back and roll back slowly.
5. Avoid sudden start and brake.
6. Please accelerate or decelerate the car according to the ground condition.
7. Do not turn the steering wheel too sharply at high speed.
8. Keep driving slowly straight up or straight down, not at one same angle when on slopes.

Do not overload or make any modification towards spare parts without permission.

Operation Safety



1. Keep your hands on the steering wheel and your eyes on the path ahead.

2. Be especially careful when backing in the car in crowded places. Please keep watching back and roll back slowly.

3. Avoid sudden and strong shock of the car and change to the proper speed according to the ground condition.

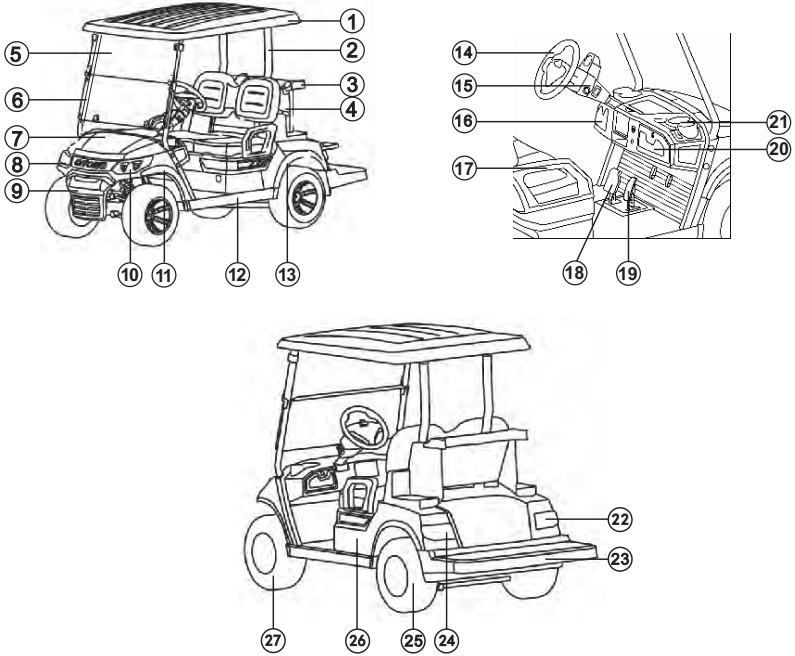
4. Do not turn the steering wheel too sharply when at high speed.

5. Keep driving slowly straight up or straight down, not at one same angle.

6. Do not make any modification or addition about the operation safety and loading capacity, and this whole manual.



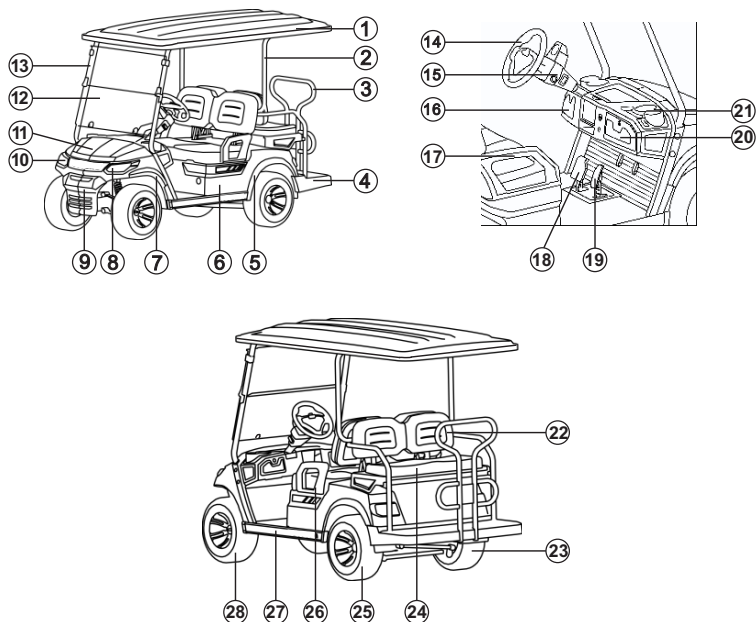
Structure And Specifications



ADVENT 2 vehicle structure:

- | | | |
|-------------------------|-----------------------|-----------------|
| ① Top roof | ⑪ Front wheel trims | ⑳ Cup base |
| ② Top roof rear support | ⑫ Side sill | ㉑ Tail light /R |
| ③ Golf bag support | ⑬ Rear wheel trims | ㉒ Caddie pedal |
| ④ Golf bag box | ⑭ Steering wheel | ㉓ Tail light /L |
| ⑤ Front windshield | ⑮ Combination switch | ㉔ Rear wheel |
| ⑥ Windshield frame | ⑯ Glove box cover / L | ㉕ Rear cover |
| ⑦ Front cover | ⑰ Armrest | ㉖ Front wheel |
| ⑧ Front headlight /R | ⑱ Brake pedal | |
| ⑨ Front bumper | ㉑ Accelerator pedal | |
| ⑩ Front headlight /L | ㉒ Glove box cover / R | |

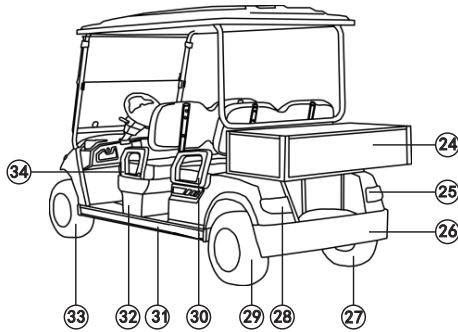
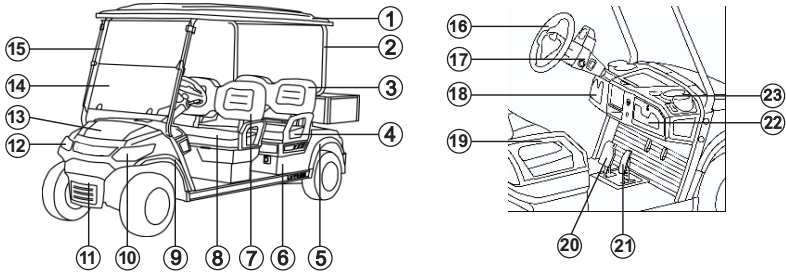
Structure And Specifications



ADVENT 4 vehicle structure:

- | | | |
|-------------------------|----------------------|-----------------------------|
| ① Top roof | ⑪ Front cover | ⑳ Cup base |
| ② Top roof rear support | ⑫ Windshield | ㉑ Rear seat backrest |
| ③ Rear seat armrest | ⑬ Windshield frame | ㉒ Rear wheel/R |
| ④ Caddie plate | ⑭ Steering wheel | ㉓ Rear seat cushion |
| ⑤ Rear wheel trims | ⑮ Combination switch | ㉔ Rear wheel/L |
| ⑥ Rear cover | ⑯ Glove box cover /L | ㉕ Armrest for driver's seat |
| ⑦ Front wheel trims | ⑰ Armrest | ㉖ Side sill |
| ⑧ Front headlight /L | ⑱ Brake pedal | ㉗ Front wheel / L |
| ⑨ Front bumper | ㉘ Accelerator pedal | |
| ⑩ Front headlight /R | ㉙ Glove box cover /R | |

Structure And Specifications



ADVENT 4F vehicle structure:

- | | | |
|---------------------------|-----------------------|------------------|
| ① Top roof | ⑬ Front cover | ⑳ Tail light/R |
| ② Top roof rear support | ⑭ Windshield | ㉑ Rear bumper |
| ③ Second row backrest | ⑮ Windshield frame | ㉒ Rear wheel/R |
| ④ Second row seat cushion | ⑯ Steering wheel | ㉓ Tail light/L |
| ⑤ Rear wheel trims | ⑰ Combination switch | ㉔ Rear wheel/L |
| ⑥ Rear cover | ⑱ Glove box cover / L | ⑳ Armrest/L |
| ⑦ Front backrest | ㉑ Armrest/R | ㉑ Side sill |
| ⑧ Front seat cushion | ㉒ Brake pedal | ㉒ Front seat box |
| ⑨ Front wheel trims | ㉓ Accelerator pedal | ㉓ Front wheel/L |
| ⑩ Front headlight / L | ㉔ Glove box cover / R | ㉔ Armrest |
| ⑪ Front bumper | ㉕ Cup base | |
| ⑫ Front headlight / R | ㉖ Cargo box | |

Structure And Specifications

Whole car standard configuration and Parameter table
(Specific configuration will be subject to contract)

Frontbody,seat barrel and rear body are PP injection molded;Aluminum profile roof support
with matte black painting (A827.4 with aluminum alloy box)

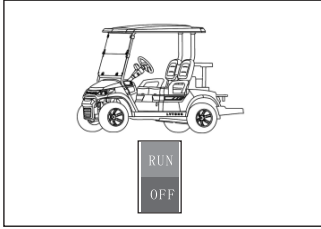
Configuration and Parameter		ADVENT 2	ADVENT 4	ADVENT 4F
Electronic system	Controller	AC Toyota 48M350B—350A controller		
	Battery	AdvancedEV maintenance-free battery 8V-150AHx6pcs (3 hrs rate)		
	Motor	32V/4KW AC Asynchronous Motor		
	Charger	Smart battery charger 48V/25A、 Charging time < 8 hours(with discharge rate of 80%)		
	DC converter	High power non-isolated DC-DC 48V/12V-180W		
Body configuration	Front windshield and wiper	Acrylic glass;Optional with toughened glass+wiper		
	Top roof	Aluminium alloy profile frame + PP injection molded		
	Seat	Ergonomic seat,leather fabric		
	Floor	Aluminum profile non-slip floor, high strength structure, corrosion resistance, aging resistance		
	Body & Finish	Front body, seat barrel and rear body are PP injection molded; Aluminum profile roof support with matte black painting (ADVENT.4 with aluminum alloy box)		
	Side mirrors	One adjustable and foldable external side mirror on each side		
	Lights and warning signals	LED headlights (low beams,high beams,turn signals,daytime running light s and position lights) LED taillights (brake lights,position lights, turn signals),Snail horn,reversing buzzer		
	Dash	Plastic forming instrument dash,LED speedometer,key switch,single-arm combination switch,gear switch, cup basedouble USB power supply,12V power supply.Optional with multi-media audio and video system (backup camera,video player)		
	Steering system	Double-ended Rack and Pinion,self-adjusting		
	Braking system	Four wheel hydraulic disc brake+Electromagnetic brake parking		
	Front suspension system	Double swing arm independent front suspension + coil spring + hydraulic shock absorbers		
	Tire diameter	205/65-10(Tire diameter 520mm) with 10 inch es steel rim		
	Rear suspension system	Integral type transaxle , gear ratio 12.31:1, coil spring + hydraulic shock absorbers + rear stabilizing bar	Integral type transaxle, gear ratio 16:1, coil spring + hydraulic shock absorbers + rear stabilizing bar	
Technical parameter	Max speed	25km/h		
	Minimum ground clearance	120mm		
	Brake stability	1.6m		
	Braking distance	<6m		
	Overall L*W*H	2740*1210*1820mm	2785*1210*1910mm	3360*1210*1900mm
	Curb weight	560kg(with battery)	585kg(with battery)	590kg(with battery)
	Seating capacity	2-person	4-person	
	Container size	NO	1170*610*265mm	
	Container load	NO	50kg	
	Mileage(Km)	80-100km (Flat road)	80-100km (Flat road)	75-90km (Flat road)
	Max climbing ability	30%	25%	18%
	Grade parking performance	30%	25%	25%
	Wheel base	1670mm		2485mm
	Minimum turning radius	3.2m		4.45m
	Wheel track	Front 905mm/Rear 1000mm		
Energy consumption (per 100Km)	8kwh		9kwh	

Structure And Specifications

Whole car standard configuration and Parameter table
(Specific configuration will be subject to contract)

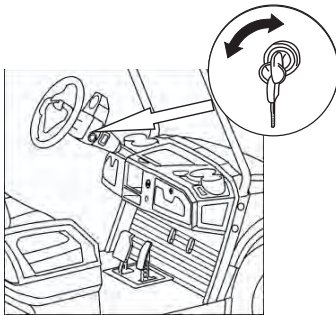
ADVENT 6		ADVENT8	
AC Toyota 48M350B—350A controller			
AdvancedEV maintenance-free battery 8V-150AHx6pcs(3 hrs rate)			
32V/4KW AC Asynchronous Motor			
Smart battery charger 48V/25A、 Charging time < 8 hours(with discharge rate of 80%)			
High power non-isolated DC-DC 48V/12V-180W			
Acrylic glass; Optional with toughened glass+wiper			
Aluminium alloy profile frame+PP injection molded			
Ergonomic seat, leather fabric			
Aluminum profile non-slip floor, high strength structure, corrosion resistance, aging resistance			
Front body, seat barrel and body are PP injection molded;Aluminum Aluminum profile roof support with matte black painting (H8 seat bucket and box are made of high strength aluminum profile)			
One adjustable and foldable external side mirror on each side			
LED headlights (low beams, high beams, turn signals, daytime running lights and position lights) LED taillights (brake lights, position lights, turn signals),snail horn, reversing buzzer			
Plastic forming instrument dash,LED speedometer,key switch,single-arm combination switch,gear switch, cup base,double USB power supply,12V power supply. Optional with multi-media audio and video system (backup camera,video player)			
Double-ended rack and pinion,self-adjusting			
Four wheel hydraulic disc brake+Electromagnetic brake parking			
Double swing arm independent front suspension + coil spring + hydraulic shock absorbers			
205/65-10(Tire diameter 520mm)with 10 inch es steel rim			
Integral type transaxle , gear ratio 16:1, coil spring + hydraulic shock absorbers + rear stabilizing bar		Integral type transaxle, gear ratio 16:1,coil spring + hydraulic shock absorbers + rear stabilizing bar	
25km/h			
120mm		150mm	
1.6m			
< 6m			
3615*1210*1905mm	4150*1210*1900mm	4405*1210*1915mm	3630*1210*1840mm
585kg(with battery)	700kg(with battery)	695kg(with battery)	605kg(with battery)
6-person		8-person	2-person
NO	1170*610*265mm	NO	1800*1150*265mm
NO	50kg	NO	500kg
75-90km (Flat road)	70-85km (Flat road)	70-80km (Flat road)	70-85km (Flat road)
18%	10%	10%	10%
20%	20%	15%	20%
2485mm	3260mm	3260mm	2425mm
4.45m	5.8m	5.8m	4.5m
Front 905mm/Rear 1000mm	Front 895mm/Rear 1000mm		Front 905mm/Rear 1000mm
8.5kwh	9kwh		9.5kwh

Operation And Control



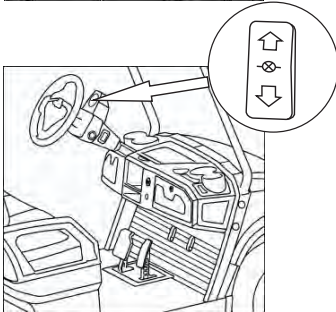
Turning on Main Switch

1. Shifting the switch to RUN position then can turn on the power supply of car.
2. Shifting the switch to OFF position then can turn off the power supply of car.



Key Switch

1. Plugging the key and turn right then can turn on the key switch (Note: Shifting the F/R switch to the middle position before turning on key switch).
2. Turning left and then can turn off the switch. Switch can be removed only at this state.



Forward/Reverse Switch

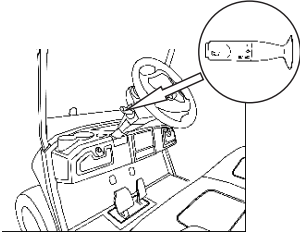
The Forward/Reverse Switch is used to shift the car to forward, reverse or stop. Forward for upward, Reverse for downward, Park for middle. When choosing reverse switch, the reverse buzzer sounds.

WARNING

Completely stopping car before shifting F/R switch. When shifting F/R switch, please turn switch to middle position for 2s at first, then choosing Forward switch or Reverse switch. Don't shift F/R switch in a hurry in case that the sensor will be burnt or switch will be out of use.

Operation And Control

Combination Switch



1. Turn signal: Move the turn signal lever forward, left turn signal flashes. At the same time, you'll be able to see a flashing arrow directed to the left on your instrument cluster. Move the turn signal lever backward, the arrow directed to the right on.

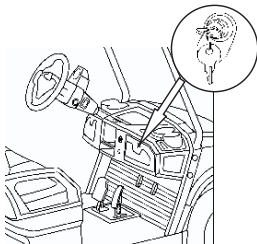
2. Low beam: Front part of the lever can be pushed and pulled. After the vehicle is started, push the lever forward to turn on low beam and backward to turn off.

3. High beam: move the lever upwards (steering wheel surface) to turn on high beam. Releasing the lever, it will automatically return to original position, and the high beam can be permanently on.

4. Horn: Press lightly on the end of lever, where horn button is located.

Glove box lock

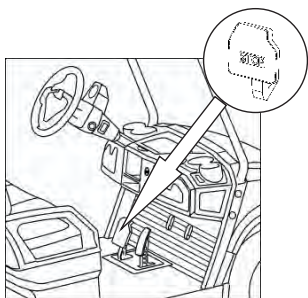
There are one glove box on each side of instrument panel, which can be used to store goods. When the glove box cover is not locked, press the lock head to open the cover.



Unlock: Insert the key into the lock, rotate in the clockwise direction to unlock, and then remove the key.

Locking: Close the box cover, insert the key and rotate in the counterclockwise direction to lock, and then remove the key.

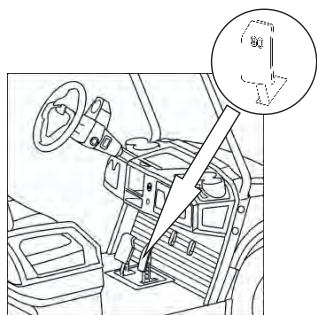
Operation And Control



Brake pedal

If reducing speed while car is running, put your right foot on brake pedal and step on it, then can reduce speed till car stops.

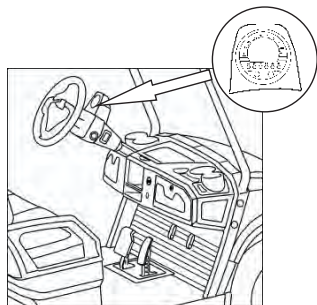
Attention: Avoid quick brake!



Accelerator pedal

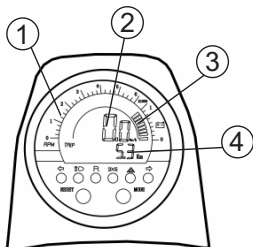
Turn on the key switch, choose forward and backward, release brake, put your right foot on the accelerator pedal, soft step down the pedal to start the car.

Attention: Don't step down the pedal to the end in rush.



Instrument cluster

Display the current vehicle status, rotate speed, speed per hour, battery power, mileage, light signal etc. During the driving, you can check whether it is normal according to the status of the indicator light in the instrument cluster.



Instrument cluster lighting diagram

- ① Rotating speed
- ② Speed per hour
- ③ Battery power
- ④ Mileage

Pre Operation

Pre operation checks should be made each time you use your golf car. Get in the habit of performing the following checks in the same way so that they become second nature.

WARNING

Be sure that the main switch key is removed before performing the pre-operating checks to prevent accidental starting, and apply the parking brake to keep the car from moving.

PRE-OPERATION CHECKLIST

Before each use, please check the following

- ✓ Batteries
- ✓ Tire condition
- ✓ Steering system
- ✓ Back-up buzzer
- ✓ Pedal operation
- ✓ Body and chassis

SEAT

Opening the seat for checking and servicing

Body and Chassis:

Before each use, carefully inspect the car body and chassis for damage and/or missing parts.

Pre Operation

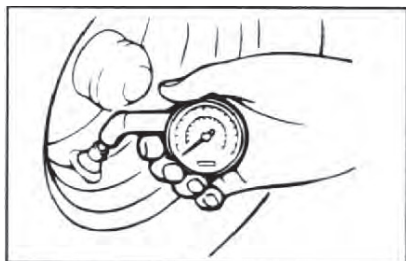
BATTERY

Charge batteries before every use.
See charging steps in chapter 6.

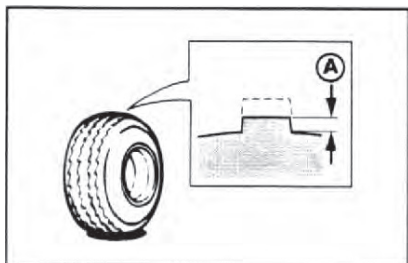
Check that the batteries are held securely in place to prevent the batteries from vibration or jarring. Also check that no prevent battery acid from spilling from the battery. Check the battery terminals for corrosion.

TIRE CONDITION

Check the tire air pressure before the operation of car.



Tire pressure
40PSI

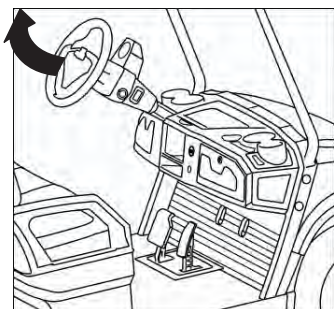


Tire wear limit

Check the tire surface for damage, cracks or embedded objects. When tire tread wears down to 0.04(1mm), replace the tire.

Ⓐ Wear limit

Pre Operation



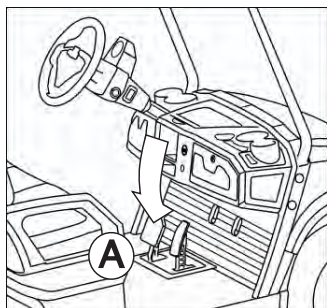
Steering system

Check the steering system whether there is too much empty steering

a. Put the steering wheel up and down, front and back

b. Turning the steering wheel left or right

If you find too much empty steering or hear noise, it means some parts wrong and please contact your dealer immediately.



Reverse alarm

Turn the F/R switch to "R" for checking reverse alarm.

Pedal operation

Check the pedals operation, if it's abnormal, contact dealer immediately.

Brake pedal

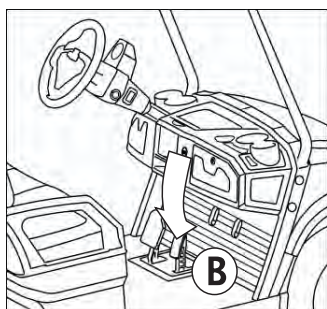
When step down the pedal, you feel well, release it to be in the original position.

(A) Brake pedal

Accelerate pedal

Check the flexibility and reliability of pedal, it returns to original position after step down.

(B) Accelerator pedal



WARNING

Before checking the accelerator pedal, make sure to turn off the main switch

Maintenance

BATTERY CARE

WARNING

Battery electrolyte is poisonous and dangerous, causing severe burns, etc. It contains sulfuric acid. Avoid contacting with skin, eyes and clothes.

Antidote:

EXTERNAL: Flush with water

INTERNAL: Drink large quantities of water or milk. Follow with milk of magnesia, beaten egg, or vegetable oil.

Call physician immediately.

EYES: Flush with water for 15 minutes and get prompt medical attention.

Batteries produce explosive gases. Keep sparks, flames and cigarettes away.

Make sure it is ventilated when charging or using in enclosed space. Always shield eyes when working near batteries.

WARNING

Keep out reach of children.

Batteries provide power for your electronic car and must be properly maintained and recharged for maximum performance and service life. The ways to maintain your batteries

1. Clean the top of the batteries with soda water if necessary to remove corrosion.

CAUTION

Do not allow cleaning material to enter battery cells.

2. Check the fluid level before and after charging.

Maintenance

BATTERY CHARGING

⚠ WARNING

Read and understand the manual provided with your car's battery charger before charging batteries.

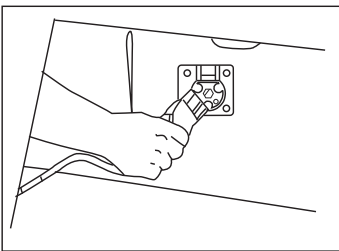
⚠ WARNING

Explosive hydrogen gas is produced while batteries are being charged. Only charge batteries in well ventilated areas (A minimum of 5 air changes per hour is recommended)

Follow the instructions contained in your battery charger's owner's manual to charge the batteries in your car.

The following is a summary of the charging steps. Do not attempt to recharge your car's batteries without thoroughly reading and understanding the manual.

Connect the charger properly with the plug case (see charger's owner's manual). Do not insert the AC output plug into the car directly.



CAUTION

Use battery chargers that are only used for this car. Thoroughly read and understand the manual.

Maintenance

WARNING

Do not disconnect the DC output cord from the battery receptacle when the charger is on because that may cause an explosion.

3. The charger will turn off automatically when the batteries reach full charge.

4. After the charger has turned off disconnect the DC output plug from the golf car receptacle by grasping the plug body and pulling the plug straight out of the receptacle.

BATTERY INSTALLATION

WARNING

When installing the batteries, do not put the wrenches or other metal objects across the battery terminals. An arc occur causing explosion of batteries.

Maintenance

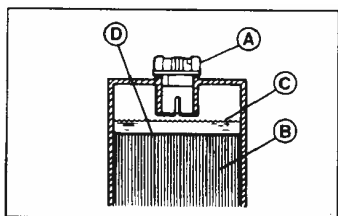
Before charging:

Only add distilled water. If fluid is below the top of the plates, add just enough to cover plates.

After charging:

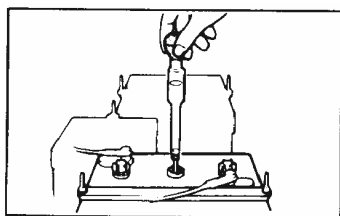
Check that the fluid level is appropriately 1/4 to 1/2 inch above the plates and 1/4 to 3/8 inch below the level is low. Add distilled water carefully. Adding distilled water after charging helps prevent boiling over.

- A Battery cap
- B Plates
- C Maximum fluid level
- D Minimum fluid level



Normal tap water contains minerals which are harmful to a battery; therefore, refill only with distilled water.

3. Using a hydrometer, check the specific gravity of the battery fluid in each cell against the readings on the chart below. Consult an AdvancedEV dealer if any low readings are found.

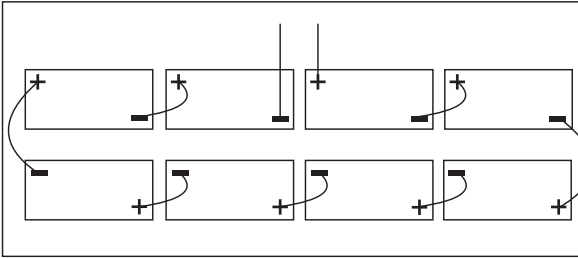
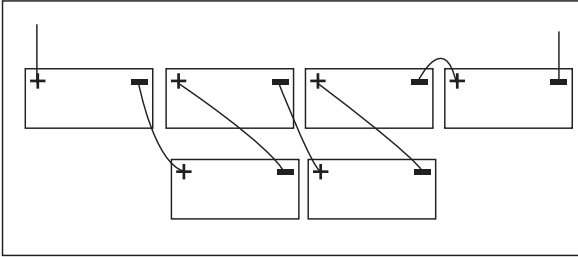


Note: Only lead-acid batteries need to add battery water, maintenance-free batteries do not need.

Temperature		Satisfactory liquid densimeter
° F	° C	
120	48.9	1.244
110	43.3	1.248
100	37.8	1.252
90	32.2	1.256
80	26.7	1.260
70	21.1	1.264
60	15.6	1.268
50	10	1.272
40	4.4	1.276
30	-1.1	1.280

Maintenance

2. Link the cables as the picture



WARNING

When installing the batteries:

1. Please carefully place the cables and make them down, making sure the cables not crossover the vent caps.
2. Always remove the negative(-) cable from the motor controller first, and install it at last.
3. Do not over-tighten the battery nuts, because too much force would damage the battery case.

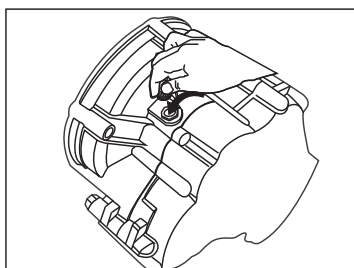
Maintenance

Check the oil level in the gearbox



Gearbox Oil

1. Place the car on a horizontal level
2. Lift the cushion
3. Remove the oil plug
4. Pour in the gear oil slowly until it reaches the opening



recommended oil :
SAE 90 gearoil

Gearcase capacity : 0. 3L

5. It's fine for oil overflowing.
Make it stop when it flows out, alien materials are forbidden from getting into the gearbox.

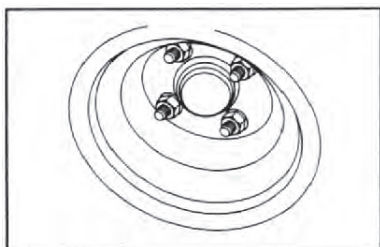
NOTE: _____

For oil change, please consult your
AdvancedEV dealer or other
qualified mechanic.

Maintenance

CAUTION

Be sure the main switch be in the "off" position, before you check the wheel or braking system.



Tire Replacement

1. Take out the wheel nuts, after the car is totally still. Anything will be fine to prevent it moving.
2. Elevate the car with a jack and take out the tire and the screw bolt.
3. Use the steps above conversely, when installing the tire.

Wheel nut tightening torque:

105N•M-120N•M

Brake Adjustment

The brake of this car can be adjusted by yourself.

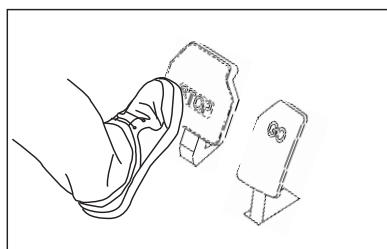
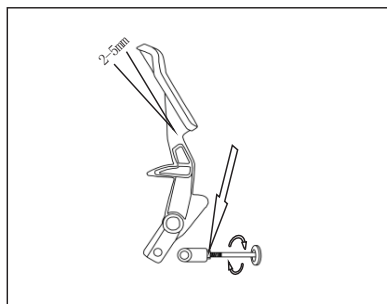
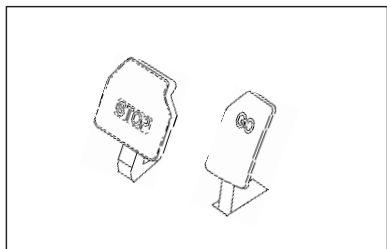
Please use your foot to press the braking pedal, making sure it has been functioning properly.

⚠ WARNING

Consult your AdvancedEV dealer before using the car, if you have any problem with the brake. Because serious accident would be caused in case of brake failure.

Maintenance

Brake system: free adjustment



CAUTION

Before adjusting the brake, tread the brake pedal several times to adjust the brakes.

Brake Pedal Travel Adjustment:

1. To change the length of the push rod and thus increase the brake pedal free travel, firstly loosen the lock nut on the brake master cylinder push rod, then carefully turn the push rod in the counterclockwise direction.

After adjusting the brake pedal travel properly, tighten the screw in time to prevent it from loosening.

2. The brake pedal free travel can be adjusted, but not frequently. It is recommended to adjust the distance between 2-5mm and increase the length of the push rod by 1-2mm.

⚠ WARNING

Do not loosen the brake cables because of air leakage, which will also affect the brake adjustment and result in braking function.

Maintenance

WARNING

Do not fix brake cable too tight as this will make the brake adjust can't work perfectly, and therefore lower down the brake performance.

Periodic Maintenance Chart

It is necessary to check periodically for best performance and safe operation.

WARNING

Before maintenance, make sure that main switch is off and hand brake on. Your local dealer or qualified technician are responsible for it.

Maintenance

C=Check CA=CheckAdjust R=Replace S=Service CL=CleanandLubricate L=Lubricate

	Remarks	Pre-Operation	20 rounds 20 hours 20 hours 160kms(Every Month)	125 rounds 125 hours 600 miles 1000kms(Every6	250 rounds 250 hours 1200 miles 1000kms(Every Years)	500 rounds 500 hours 2500 miles 4000kms(Every2 Years)	1000 rounds 1000 hours 5000 miles 8000kms (Every4	Page
Pre-Operation	Charge	S	S	S	S	S	S	8-5
	Clean Battery tops, for tightness of hold-down screws and terminals	S	S	S	S	S	S	8-3/6-2
	<small>Check brake pedal freeplay and adjust if necessary</small>	C	CA	CA	CA	CA	CA	8-9/8-10
	Check steering operation	C	C	C	C	C	C	6-3
	Clean tire pressure tread depth tire surface for damage	C	CA	CA	CA	CA	CA	6-2
	<small>Check body and chassis, for damage</small>	C	C	C	C	C	C	6-4
	<small>Check tightness of all bolts, nuts, and screws</small>	C	C	C	C	C	C	*
Check reverse buzzer	C	C	C	C	C	C	6-3	
Every month	Check electrolyte level		C	C	C	C	C	8-3/8-4
	<small>Check for loose or broken connections</small>		C	C	C	C	C	*
	Clean Lube Pedal Control Area		CL					*
Every 6 month	Check all wire insulation for crack and/or worn spots			C	C	C	C	*
	Check shock absorbers for oil leaks and damaged springs			C	C	C	C	*
Every year	Perform a discharge test				S	S	S	*
	protectant				S	S	S	*
	Check shoe lining thickness and rear axle beating play				C	C	C	*
	Check steering knuckle bushing freeplay / Adjust wheel alignment				CA	CA	CA	*
	Check wheel not tightness front wheel bearing play				C	C	C	8-9/*
	Check gear box oil level and leakage				C	C	C	8-8
	<small>Check operation and adjust pedal stop if necessary</small>				CA	CA	CA	*
Every 4 month	Replace gear box oil						R	*
	Check for grease leakage; adjust gear box if						CA	8-8

Items without a page number reference should be serviced by approved agent or qualified technician.

This manual doesn't contain these procedures. They are contained in the Service Manual.

Storage

Perform the following preparations when leaving your golf car unused for a long time:

NOTE: _____

Turn the main switch key to the "OFF" position, remove the key, and put it in a safe place.

CHASSIS PREPARATION

1. Verify the air pressure of the tire is 25psi (4kgf/cm³);
2. Clean the outside of the car with anti-rust oil;
3. Cover the car and store it in a dry and well-ventilated place.

BATTERY PREPARATION

1. Recharge the batteries and check the fluid levels at least once a month.
2. Disconnecting cables in case of long storage.

CAUTION _____

Cleaning products are forbidden to put into battery cells

3. Clean the top of the batteries with baking soda and water so as to avoid erosion.

Warranty And After-Sale Service

Please read the following carefully for your interest and good after sales service from us.

What is under warranty and valid date

Please read this instruction book carefully after you buy car from us.
We promise to change or repair for material quality or designing problem.

Objects & Content

After the car is delivered from our factory

1. We do free repair service as our standard warranty
2. Please contact us for universal parts, like tire, cushion, which are out of warranty.
3. We will send technicians if there is mass quality problem.
4. Provide long-term after sales service when warranty date is invalid.

Below conditions are not under warranty

1. Do not do as instruction book.
2. Repair car in places we did not appoint.
3. Out of warranty.
4. Used spare part from other manufacturers.
5. Assemble or modify without our permission.
6. Over max capability when using.
7. Caused by some natural disasters like typhoon, flood, earthquake, etc.

Warranty And After-Sale Service

Valid Warranty

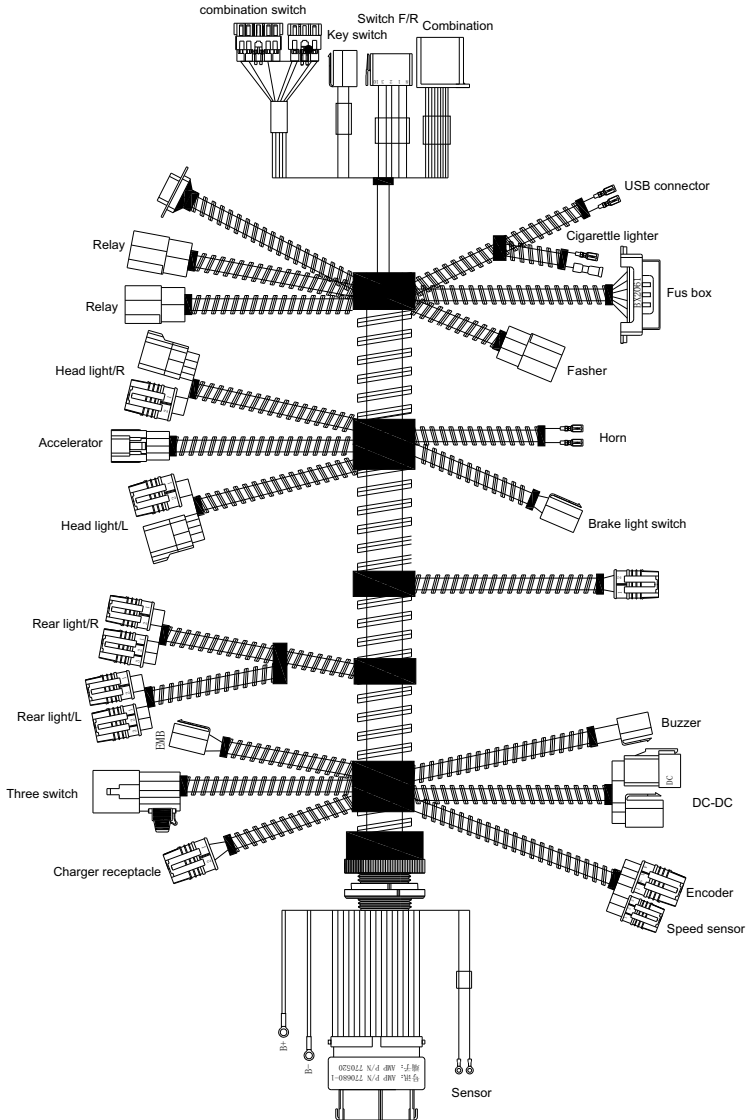
Buyers need to fill warranty card, stamp and send back to us. The warranty comes into effect upon we receive and confirm.

Kind Statement

Any damage caused by improper action, which does not match instruction book, we will not accept as warranty.

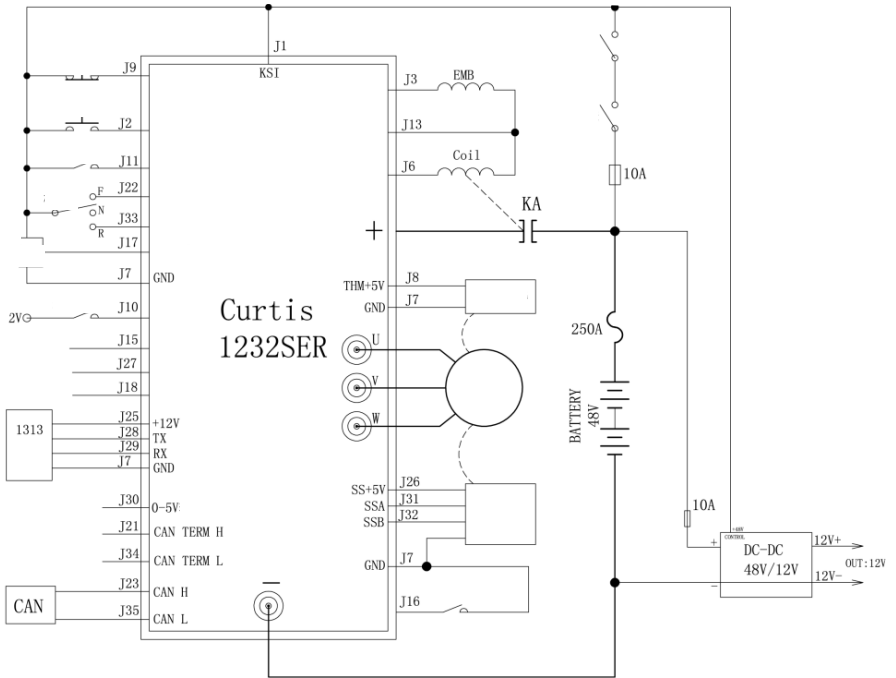
Wiring Diagram

AC Toyota Controller



Wiring Diagram

AC Curtis Controller

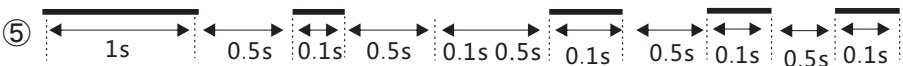
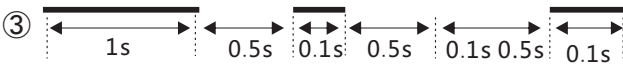
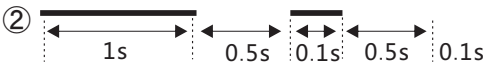


THE MALFUNCTION TABLE OF TOYOTA CONTROLLER (48V)

AC Toyota Controller Preliminary / Confidential

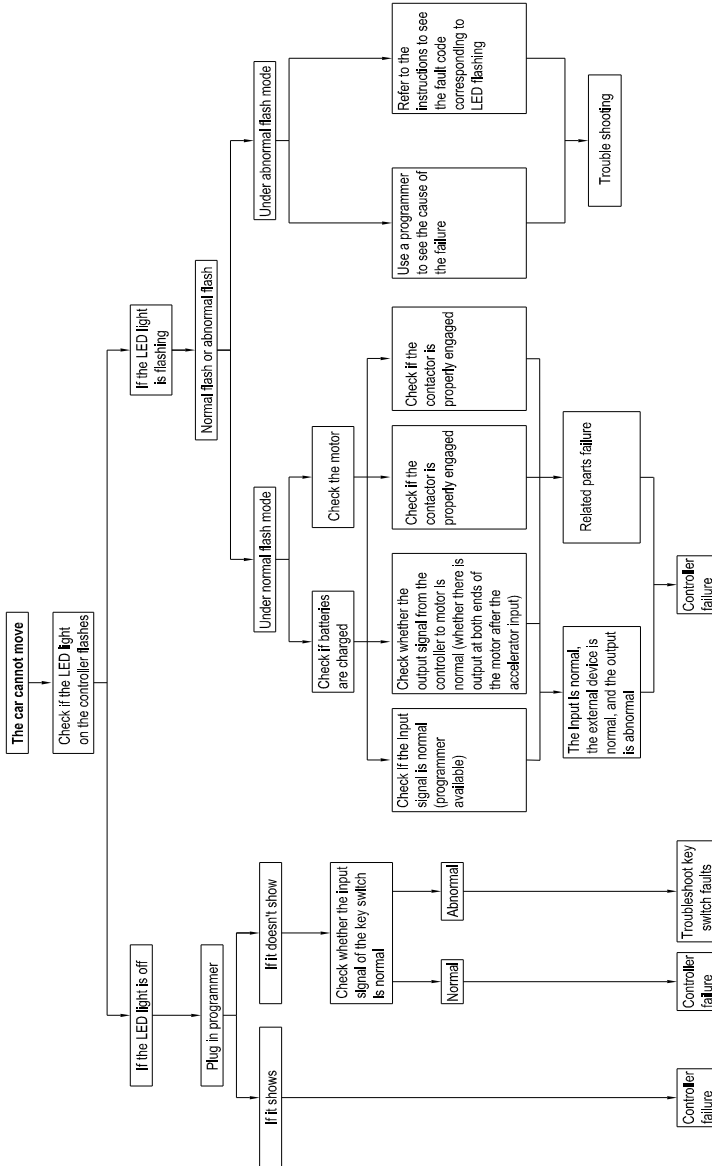
No	Anomalies	Exceptional condition	Restoration condition	LED Flash Button
1	Temperature anomaly	Internal temperature above 80°C Internal temperature below -20°C	Internal temperature above 75°C Internal temperature below -15°C	① — —
2	External connection anomaly	Contactor coil short circuit Forward and backward switches both ON	KEY OFF→ON KEY OFF→ON	② — — —
3	Current anomaly	Phase current value > 630A When stop, current sensor AD average is beyond 2048±140	KEY OFF→ON KEY OFF→ON	③ — — — —
4	Internal sensor anomaly	Internal temperature sensor short circuit or break	Internal temperature sensor values correctly	④ — — — — —
5	Voltage sensor anomaly	Battery voltage above 60V Battery voltage below 36V	Battery voltage below 54V Battery voltage above 40V	⑤ — — — — — —

(※) LED Flash Button Details



Controller Trouble Shooting Process

AC Curtis Controller



Controller Trouble Shooting Process

AC Curtis Controller

LED display information description	
Both LED lights are off	The controller power is not connected or the vehicle battery runs out or other serious failure
Yellow LED light flashes	Controller works normally
Yellow and red LED light are always on	The controller is in the program loading state
Red LED light is always on	The watchdog is not working, or the software is not installed. Re-turn on and off key switch to start. Reinstall the software if needed.
Red and yellow LED light flash alternately	Controller fails. It is necessary to read the fault code value according to the light flashing. The fault code consists of two digits. The fixed order is: first red then yellow. The flashing of a red light represents the number of digits. The flashing yellow light represents the specific value of the corresponding digit number. When the red light flashes once, it means that the corresponding code digit is ten digits, and when it flashes twice, it means the unit digit. For example, the red light flashes once and the yellow light flashes three times. Represents a ten-digit value of 3. Then the red light flashes twice and the yellow light flashes once, indicating that the units digit value is 1. In this way, the complete fault code is 31. The LED light can show multiple faults and read the code values in turn in this way.

909-938-7721
advancedev.com